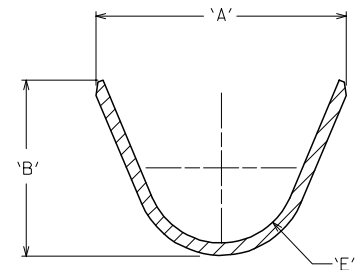
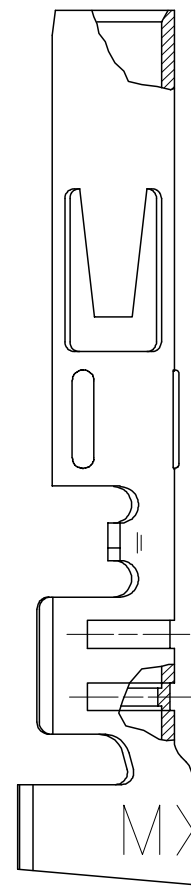
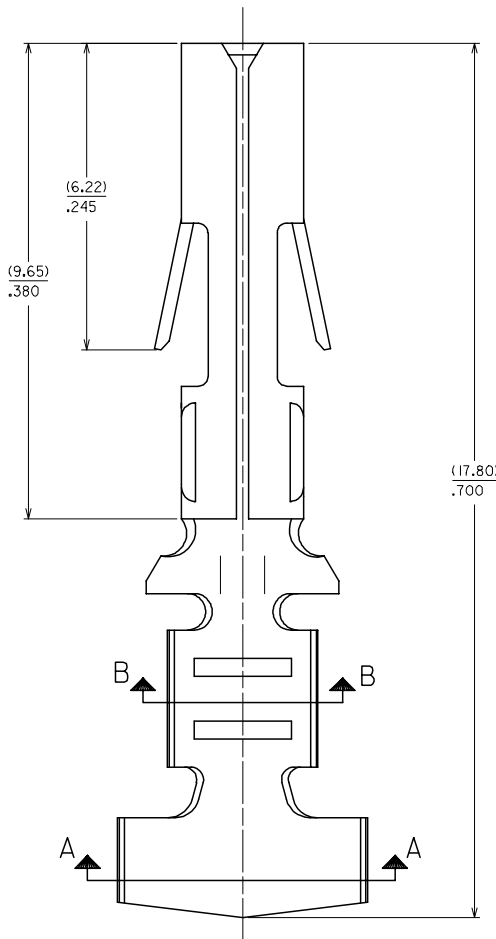
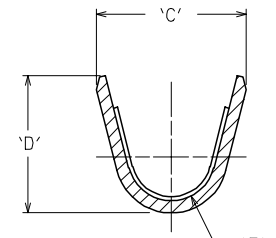


| EDP NO. | ENG NO. | FORM | 'A' | 'B' | 'C' | 'D' | 'E' | 'F' |
|------------|---------|----------------------|--------|--------|--------|--------|--------|--------|
| 02-08-1201 | 8980-3C | CHAIN,14-20 AWG WIRE | (4.44) | (3.39) | (3.02) | (3.61) | (1.23) | (0.61) |
| 02-08-1202 | 8980-3L | LOOSE,14-20 AWG WIRE | .175 | .133 | .119 | .142 | .048 | .024 |

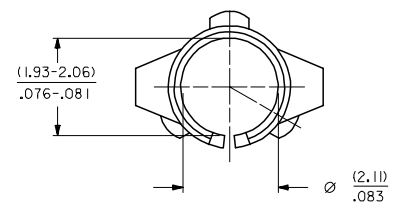
- NOTES:
 1. FINISH: (.00089)/.000035 MN. TIN OVER
 (.00051)/.000020 MIN COPPER (COPPER PLATE REFLOWED)
 2. MATERIAL: (.025)/.010 THK PHOS
 BRONZE, ALLOY CA 51000.



SECTION A-A



SECTION B-B



| | | |
|-----------|-------------------|------------|
| OBS060702 | EC NO: S2007-0797 | 2007/03/30 |
| | DRWN:GEMARLY | 2007/04/03 |
| | CHKD:SKANG | 2007/04/03 |
| | APPR:MLONG | 2007/04/03 |
| REV | DESCRIPTION | |

| | |
|-----------------|--|
| QUALITY SYMBOLS | GENERAL TOLERANCES (UNLESS SPECIFIED) |
| ▽=0 | |
| ▽C=0 | |
| | DRAFT WHERE APPLICABLE MUST REMAIN WITHIN DIMENSIONS |

| | | | | |
|-----------------|--------------|--------------------|--------------|------------------------|
| DIMENSION STYLE | | SCALE | DESIGN UNITS | THIRD ANGLE PROJECTION |
| MM/IN | | NTS | METRIC | |
| DRAWN BY | DATE | TITLE | | |
| TAY | 1987/12/15 | TERMINAL SOCKET | | |
| CHECKED BY | DATE | DIA. (2.096)/.0825 | | |
| AT | 1987/12/15 | | | |
| APPROVED BY | DATE | MOLEX INCORPORATED | | |
| AB | 1987/12/15 | | | |
| MATERIAL NO. | DOCUMENT NO. | SHEET NO. | | |
| | | 1 OF 1 | | |

| | | | |
|---|--|--------------|-----------|
| MATERIAL NO. | | DOCUMENT NO. | SHEET NO. |
| SEE TABLE | | SD-8980-3* | 1 OF 1 |
| THIS DRAWING CONTAINS INFORMATION THAT IS PROPRIETARY TO MOLEX INCORPORATED AND SHOULD NOT BE USED WITHOUT WRITTEN PERMISSION | | | |